

The background of the slide is a faded, light blue image of a rocket launch. The rocket is positioned vertically in the center, with its nose pointing upwards. The launch is taking place against a clear sky, and the rocket's plume is visible at the bottom. The overall tone is professional and technical.

INTALES

Robust Model Building

M. Luger, A. Grassl

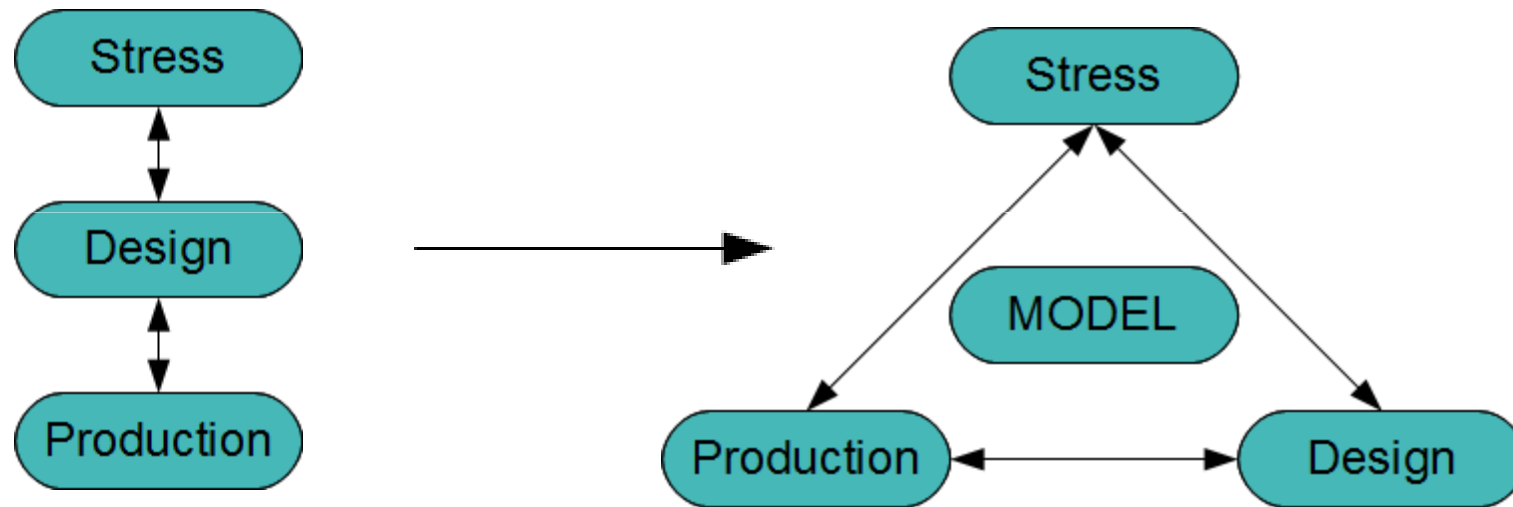
2nd Workshop on Structural Analysis of Lightweight Structures

Natters, May 30, 2012

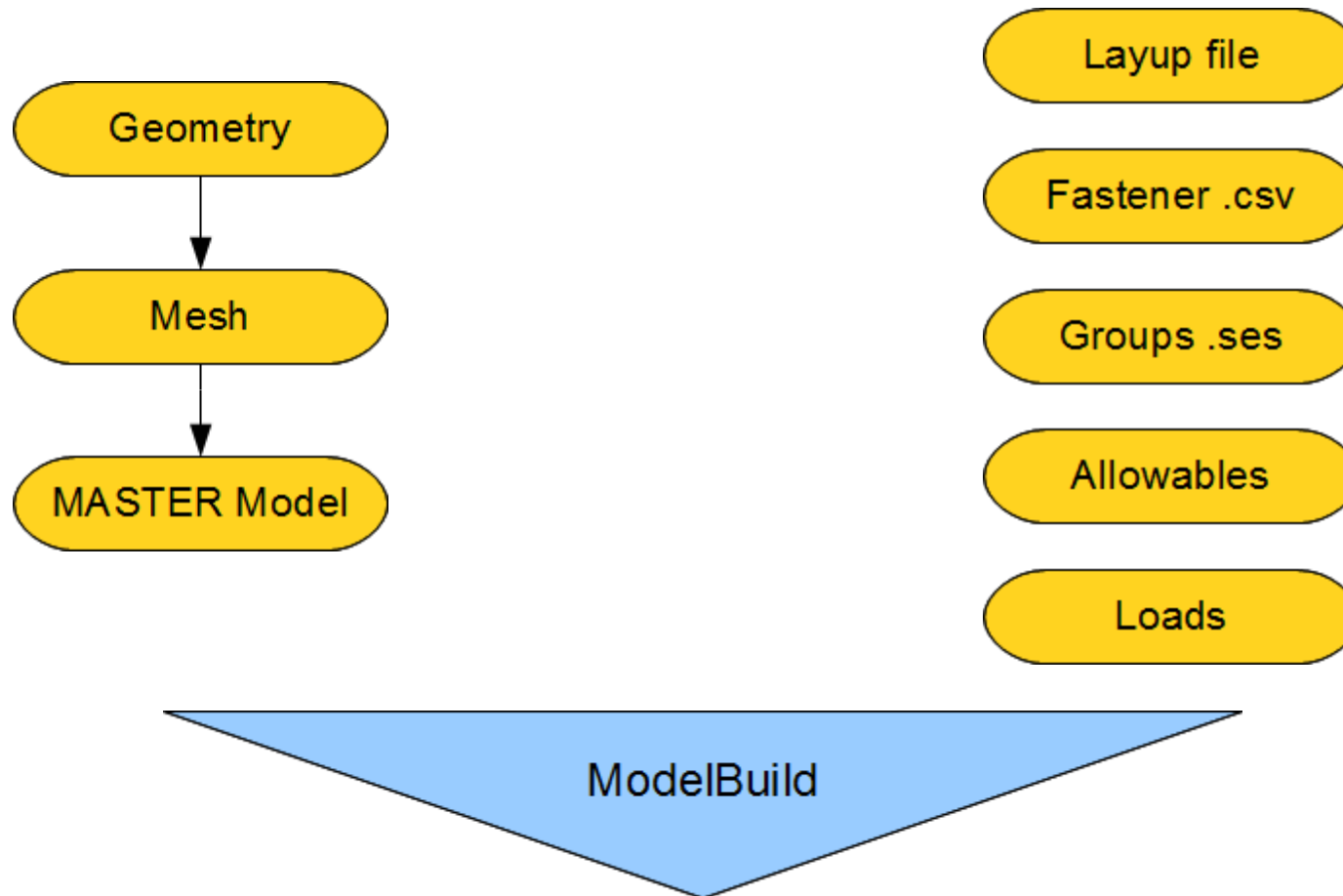
- Structure
- Actors
- Strategy
- Concept
- ModelBuild
- Motivation
- Example

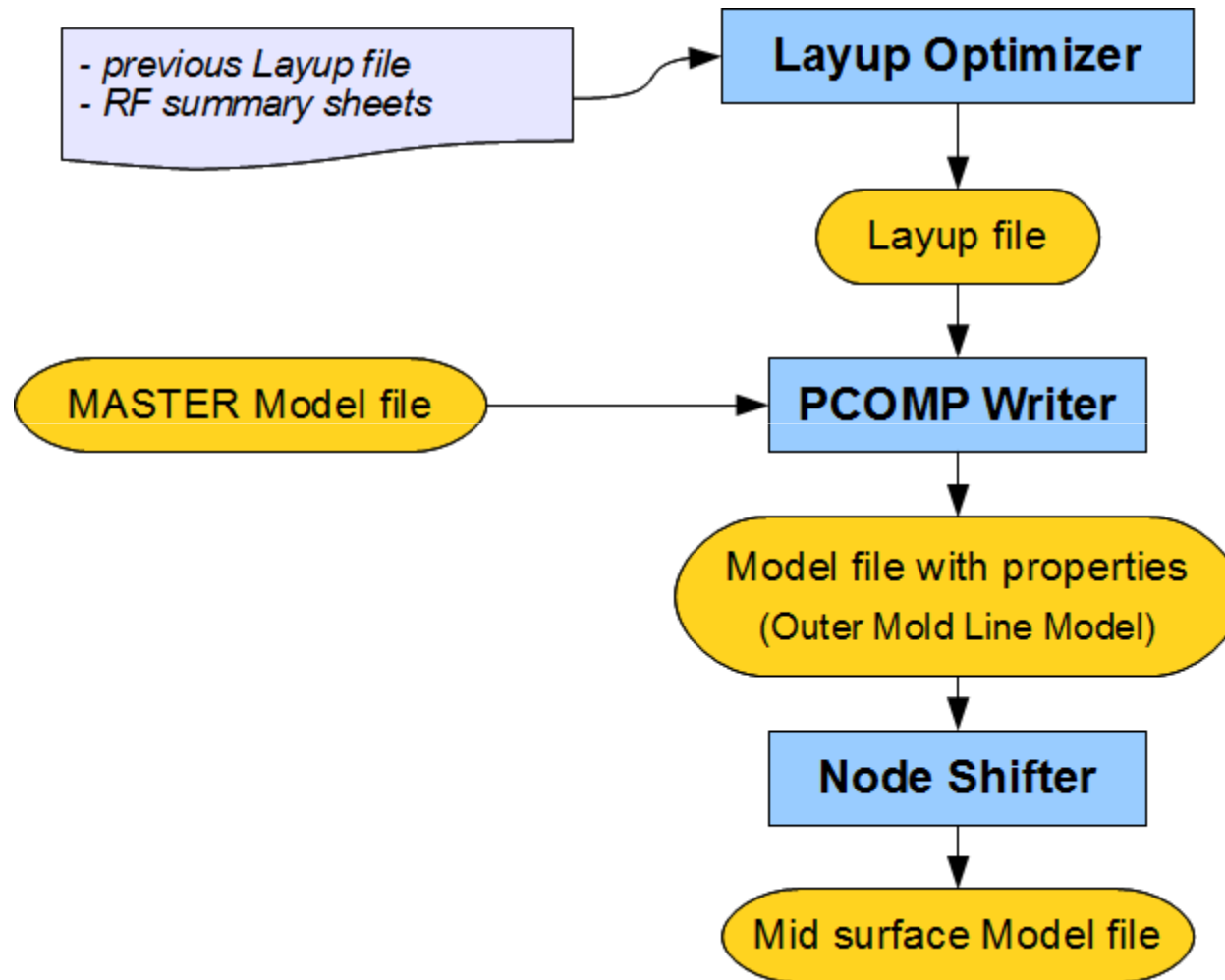


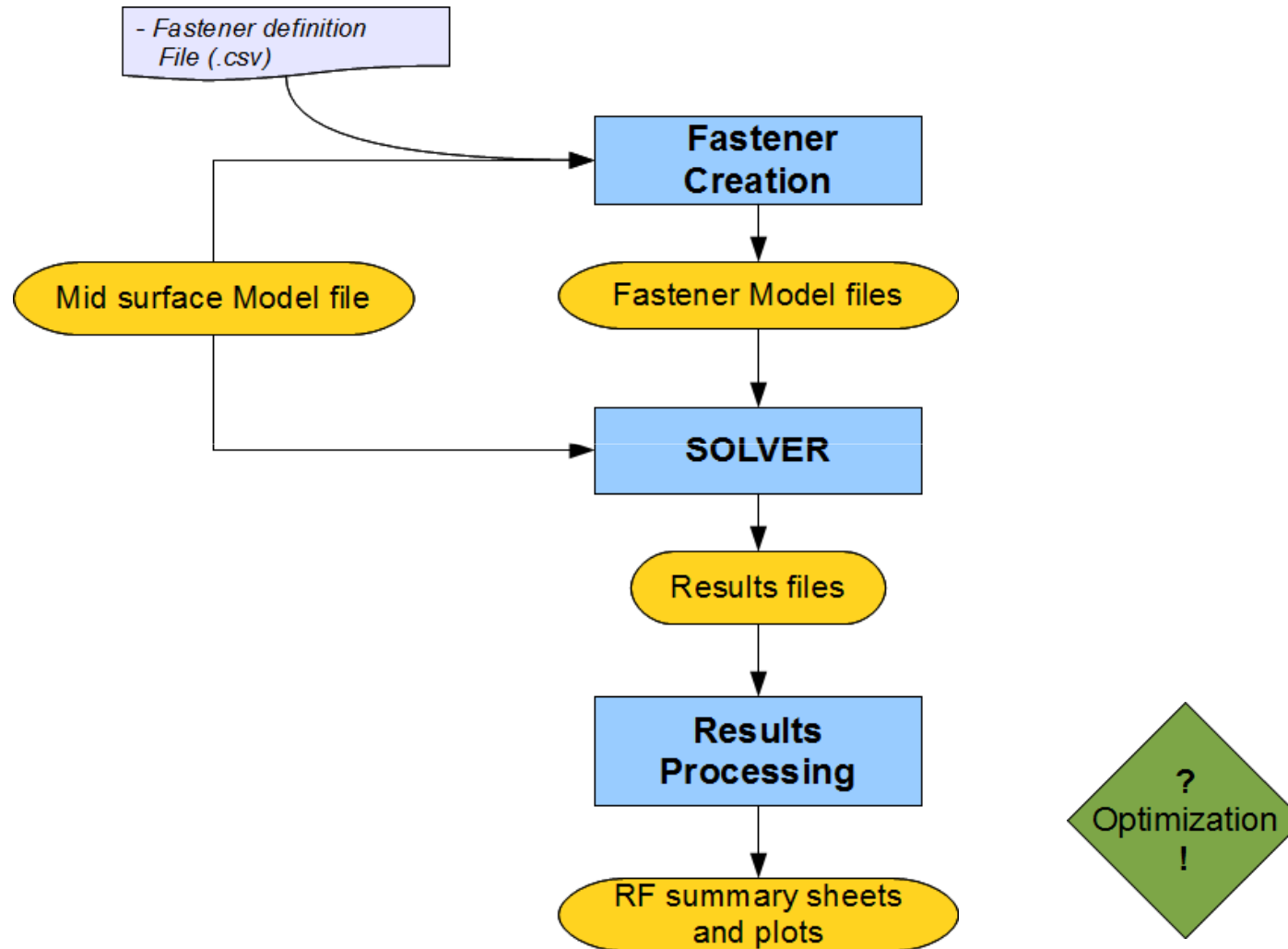
- Large shell structure
- Reference surface known
- Interior parts variable



- Redundancy
- Single point of reference
- Continuous integration of changes
- Buildup of model from atomic sources







- Modular model
- Working in parallel
- Automated build and Analysis
- Integrated checking procedures
- Fast Optimization loops
- Data handling

- 350 000 Shell Elements
- 3 500 000 DOF
- 3000 Fastener
- 2000 PCOMPs/PSHELLS

- 2 h Model Buildup